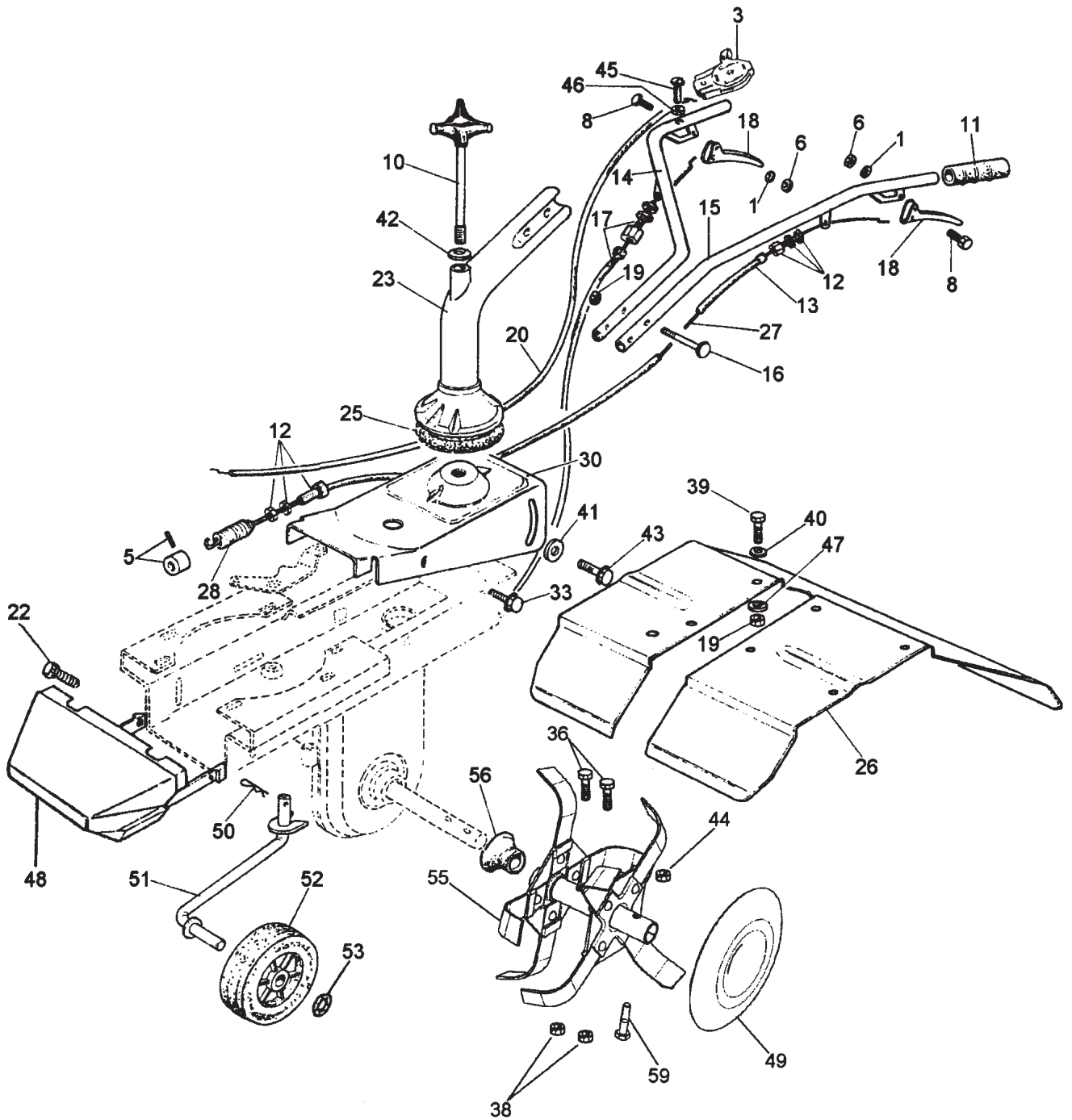
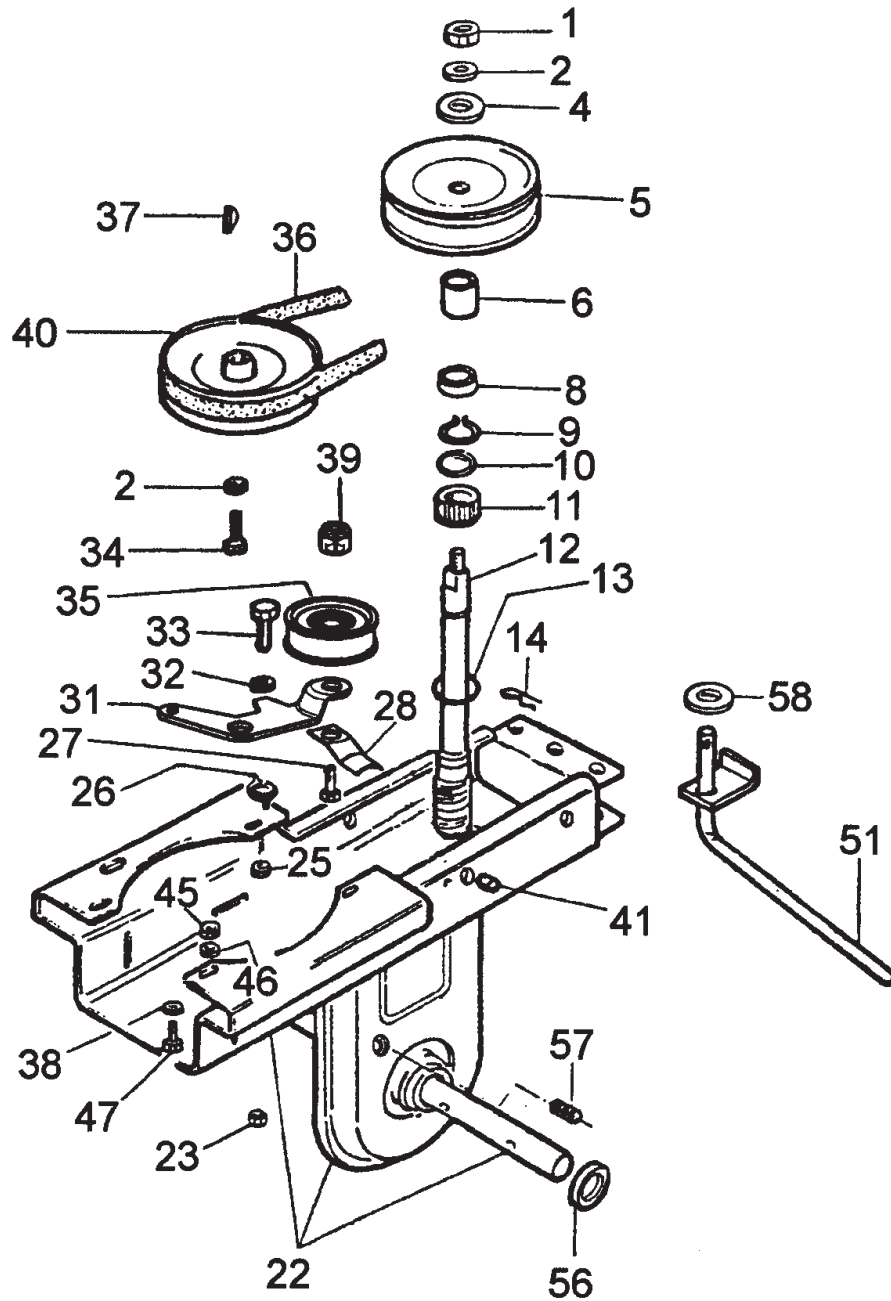


Genuine Spare Parts





Utgåva Issue 2008- 12		Bildnr Picture No 2422		SILEX 500- G SILEX 500R- G JORDFRÄS		SILEX 500- G SILEX 500R- G TILLER		Sida Page 222	
Pos. Fig.	Antal/Quantity				Art nr Part No	Benämning	Description	Sats Kit	Anmärkning Notes
	3161 -11	3162 -11							
X	1	2	2		9699-0025-02	Planbricka.....	Washer.....		
X	3	1	1		1483-2143-01	Gasreglage.....	Throttle control		
X	5	1	1		1483-2198-01	Distans	Spacer.....		
	6	1	2		9747-0531-02	Mutter.....	Nut.....		
	8	1	2		1483-2005-01	Skruv.....	Screw.....		
X	10	1	1		1483-2099-01	Låsskruv.....	Locking screw w/knob		
	11	2	2		1483-2009-01	Grepp.....	Grip.....		
X	12		2		1483-2197-01	Justernippel.....	Adjusting nipple		
X	13	1			1483-2110-01	Reglagewire kpl.....	Control cable.....		
X	13		1		1483-2116-01	Regl.wire- yttre	Control cable- outer.....		
X	14	1			1483-2098-01	Styrrör- hö.....	Handlebar tube- RH.....		
X	14		1		1483-2102-01	Styrrör- hö.....	Handlebar tube- RH.....		
X	15	1	1		1483-2100-01	Styrrör- vä.....	Handlebar tube- LH.....		
	16	2	2		9897-0880-12	Skruv.....	Screw.....		
X	17		1		1483-2104-01	Reglagewire.....	Control cable.....		
	18	1	2		1483-2008-01	Kopplingshandtag.....	Clutch handle		
	19	6	6		9747-0831-02	Mutter.....	Lock nut.....		
X	20	1	1		1483-2142-01	Gaswire	Throttle cable		
	22	1	1		9847-8016-16	Skruv.....	Screw.....		
X	23	1	1		1483-2105-01	Styrfäste- gul.....	Handlebar attachm- yel.....		
X	23	1	1		1483-2105-02	Styrfäste- röd.....	Handlebar attachm- red.....		
X	25	1	1		1483-2078-01	Platta	Disc.....		
X	26	1	1		1483-2101-01	Skyddsplåt- gul.....	Protection shield- yel.....		
X	26	1	1		1483-2101-02	Skyddsplåt- röd.....	Protection shield- red.....		
X	27		1		1483-2103-01	Reglagewire- inre.....	Control cable- inner.....		
X	28		1		1483-2115-01	Fjäder.....	Spring		
X	30	1	1		1483-2086-01	Styrfästplåt- gul.....	Handlebar plate- yello.....		
X	30	1	1		1483-2086-02	Styrfästplåt- röd.....	Handlebar plate- red.....		
	33	2	2		9959-0816-16	Skruv.....	Screw.....		
	36	4	4		9997-1050-16	Skruv.....	Screw.....		
	38	4	4		9747-1031-02	Låsmutter.....	Lock nut.....		
	39	4	4		9997-0820-16	Skruv.....	Screw.....		
	40	4	4		9699-0028-02	Planbricka.....	Flat washer.....		
	41	2	2		9699-0056-02	Planbricka.....	Flat washer.....		
	42	1	1		9699-0121-02	Planbricka.....	Flat washer.....		
	43	2	2		9959-0825-16	Skruv.....	Screw.....		
	44	2	2		9747-1031-02	Låsmutter.....	Lock nut.....		
	45	1	1		9948-0650-16	Skruv.....	Screw.....		
	46	1	1		9747-0631-02	Låsmutter.....	Lock nut.....		
	47	4	4		9699-0122-02	Bricka	Washer.....		
X	48	1	1		1483-2080-01	Frontplåt.....	Front plate.....		
	49	2	2		1483-2022-01	Sidotallrik.....	Side disc		
	50	1	1		9598-0002-02	Låsnål.....	Pin lock.....		
X	51	1	1		1483-2106-01	Stödhjulsfäste.....	Support wheel brkt.....		
X	52	1	1		1483-2111-01	Stödhjul.....	Support wheel.....		
X	53	1	1		1483-2195-01	Låsbricka.....	Lock washer.....		
	55	1	1		1483-2023-01	Rotor kpl- hö.....	Tine assy- RH.....		
	55	1	1		1483-2024-01	Rotor kpl- vä.....	Tine assy- LH.....		
	56	2	2		1483-2010-01	Dammskydd	Dust protection		
	59	2	2		9997-1050-16	Skruv.....	Screw.....		



Utgåva Issue		Bildnr Picture No		SILEX 500- G JORDFRÄS		SILEX 500- G TILLER		Sida Page	
2008- 12		2416						224	
Pos. Fig.	Antal/Quantity				Art nr Part No	Benämning	Description	Sats Kit	Anmärkning Notes
	3161 -11								
	1	1			9799-1231-02	Mutter.....	Nut		
	2	2			9699-0035-02	Planbricka.....	Flat washer.....		
X	4	1			1483-2085-01	Bricka	Washer.....		
X	5	1			1483-2082-01	Remskiva.....	Belt pulley		
X	6	1			1483-2084-01	Distans	Spacer.....		
X	8	1			1483-2192-01	Kullager	Ball bearing		
	9	1			1483-2068-01	Seegerring.....	Seeger ring		
	10	1			1483-2000-01	Distans	Spacer.....		
	11	1			1483-2072-01	Nållager	Needle roller case.....		
X	12	1			1483-2081-01	Snäckskruv.....	Endless screw.....		
X	13	1			1483-2188-01	O- ring	O- ring		
	14	1			9598-0002-02	Låsnål	Pin lock		
X	22	1			1483-2093-01	Transm.hus- gul.....	Transm.housing- yellow		
X	22	1			1483-2093-02	Transm.hus- röd	Transm.housing- red		
	23	1			9747-1031-02	Låsmutter	Lock nut.....		
	25	1			1483-2001-01	Bussning	Bushing.....		
X	26	1			1483-2096-01	Fjäder.....	Spring		
	27	1			9997-1230-16	Skruv.....	Screw.....		
X	28	1			1483-2144-01	Remstyrning.....	Belt guide.....		
X	31	1			1483-2083-01	Spännarm	Tension arm		
	32	1			9699-0105-02	Bricka	Washer.....		
	33	1			9997-1020-16	Skruv.....	Screw.....		
	34	1			9987-5225-16	Skruv.....	Screw.....		
	35	1			1483-2004-01	Spännrulle	Idler pulley		
X	36	1			1483-2113-01	Drivrem	Drive belt.....		
	37	1			12139100/0	Kil	Key		
	38	1			9699-0122-02	Bricka	Washer.....		
	39	1			9747-1231-02	Låsmutter	Lock nut.....		
	40	1			1483-2002-01	Remskiva.....	Belt pulley		
X	41	1			1483-2108-01	Bussning	Bush.....		
	45	1			9747-0831-02	Mutter.....	Lock nut.....		
	46	1			9699-0028-02	Planbricka.....	Flat washer.....		
	47	1			9997-0840-16	Skruv.....	Screw.....		
X	51	1			1483-2107-01	Bromssporre	Depth skid.....		
	56	2			1483-2070-01	Tätningring	Seal ring.....		
	57	1			1483-2075-01	Lock.....	Cap.....		
	58	1			9699-0104-02	Bricka	Washer.....		